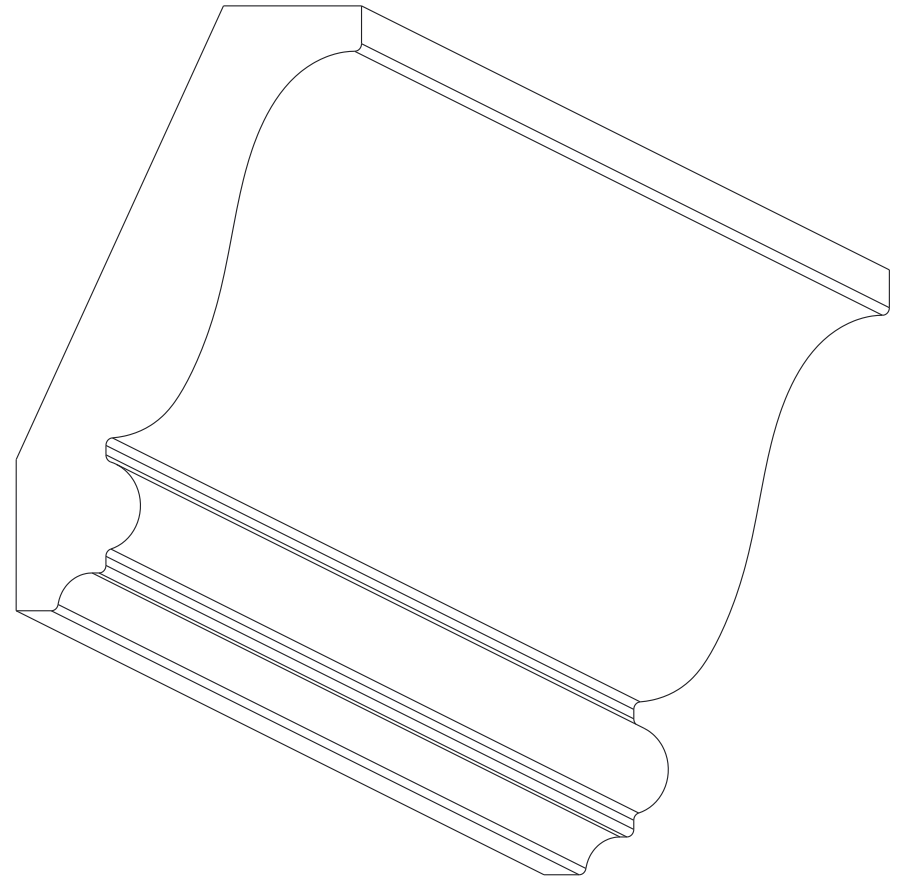


SCALE 2:1



SCALE 2:1

**ORAC**<sup>®</sup>  
DECOR

Biekorfstraat 32  
8400 Oostende - Belgium  
Tel +32 (0)59 80 32 52  
www.oracdecor.com  
info@oracdecor.com

Part name: CX151

Designed by: ORAC

Designed on: 17-Apr-2007

Unless otherwise specified: all dimensions are in millimeters and inches, scale 1:1, length 2 meters

All information in this document is Orac's exclusive property. It may in no case be reproduced, even partly, be communicated to a third party or used for any possible purpose without ORAC's express written permission. Further legal information can be found at <https://www.oracdecor.com/en/general-sales-conditions>

Version: 1.0